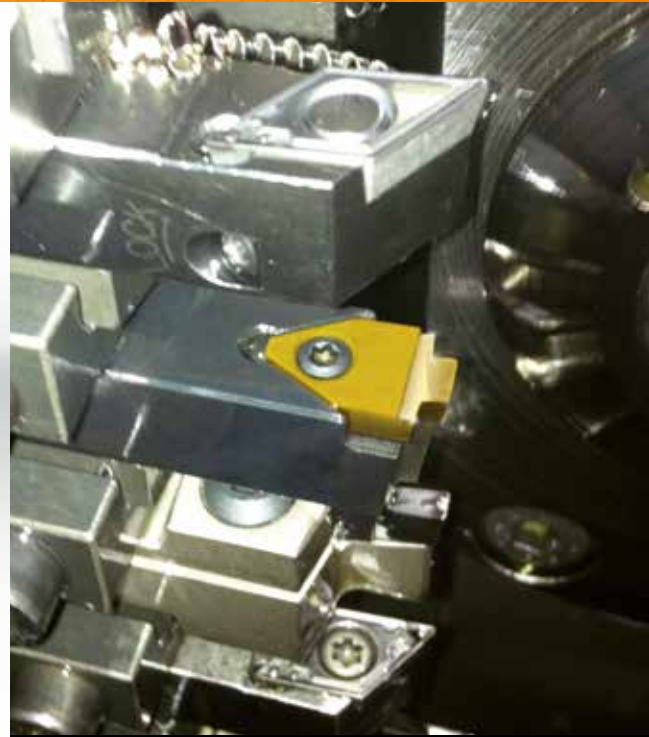
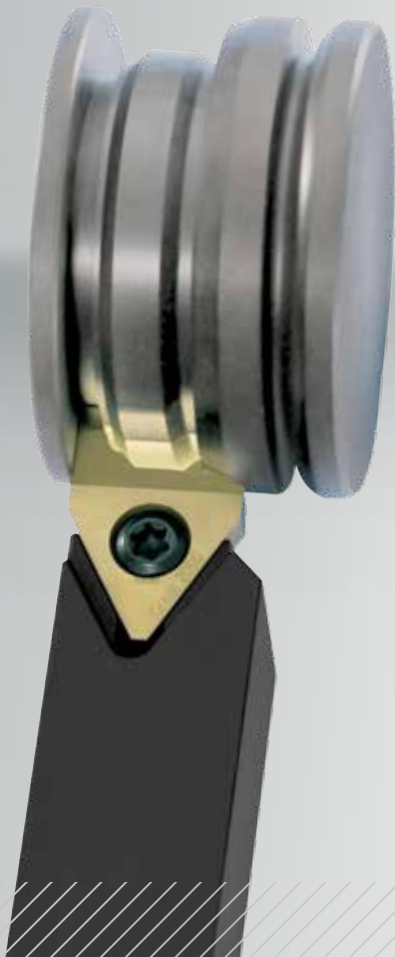


Machining technology

OD Grooving



Insertable tooling systems for different cutting widths and machine types.

OD Grooving with Schwanog:

Insertable tooling systems for different cutting widths and machine types.

High quality, cost pressure and global competition are demands which dominate today's daily business of manufacturers for precision turned parts. Grooving instead of single-point turning prevailed in the last few years as an efficient solution in all sectors and on practically all machine types.

With its form tools which are manufactured individually according to customer drawing, Schwanog offers a perfect solution with several systems for different cutting widths and machine types. All of Schwanog's tooling

systems consist of a system holder and an insertable form tool which is either ground or EDM wire-cut to customer-specific geometries.

As a result, Schwanog form tools achieve part cost reductions of over 40% repeatedly when compared to the common single-point turning process. Due to the fact that once the tool has perished, only the insertable tool is changed and the costs also remain gratifyingly low, resulting in increased productivity by up to 80%.

Economic advantages:

- Part cost reduction by up to 40%
- Elimination of tool adjustment after tool changeovers due to high system repeatability
- Increased productivity up to 80%
- Significant time savings during tool changeover due to insertable tool

Technical facts:

- 5 systems covering a total cutting widths range from 3.5 mm up to 70 mm
- Universal solutions for all lathes and special solutions for multi-spindle automatic lathes
- System solutions for multiple re-grinds as well as one-time (throw-away) use
- Superior surface finish quality due to the ground tool



PWP System:

- Universal grooving system for use on all lathes
- Cutting width range from 9–33 mm



WEP System:

- Universal grooving system for use on all lathes
- Indexable tool with 3 cutting edges
- Cutting width range from 3.5–12 mm



PWP-B System:

- Grooving system especially designed for use on multi-spindle automatic lathes
- Offers the ability for multiple re-grinds at top rake angle, used for roughing applications
- Cutting width range from 25–70 mm



PWP-E System:

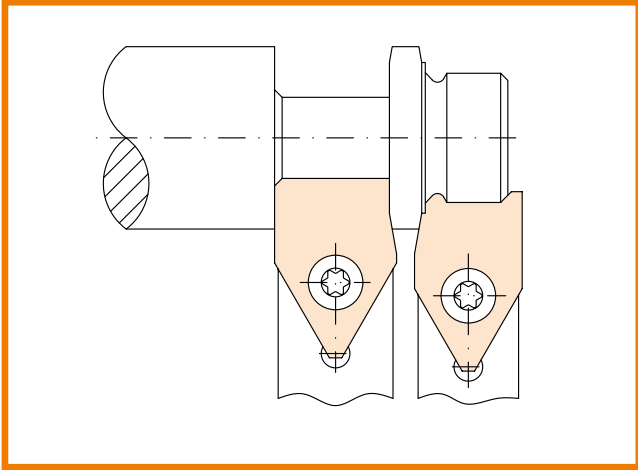
- Grooving system especially designed for use on multi-spindle automatic lathes
- Offers the ability for multiple re-grinds at top rake angle, used for finishing applications
- Cutting width range from 25–70 mm



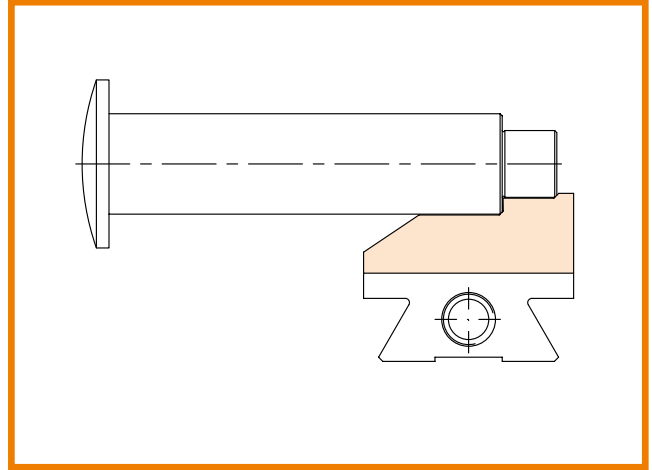
PWP-T System:

- Grooving system especially designed for Tornos AS 14, SAS16 and BS20 multi-spindle automatic lathes
- Cutting width range from 15–30 mm

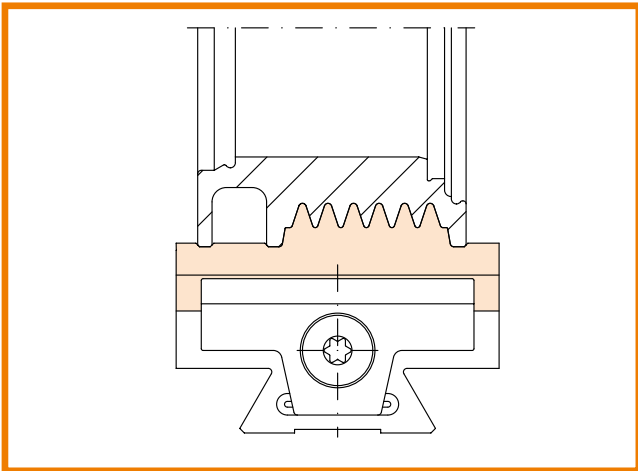
Application examples



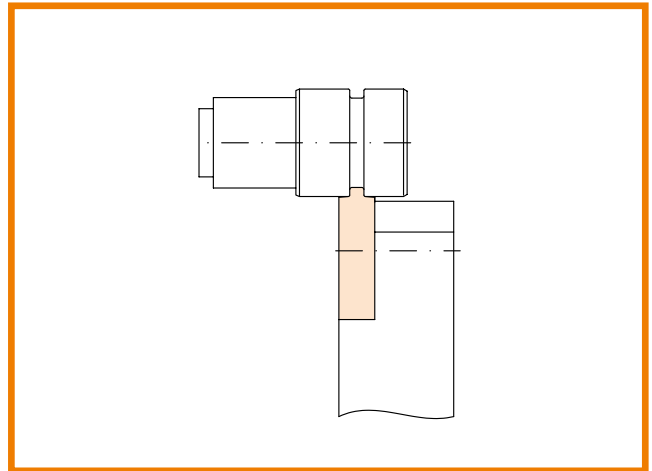
PWP System



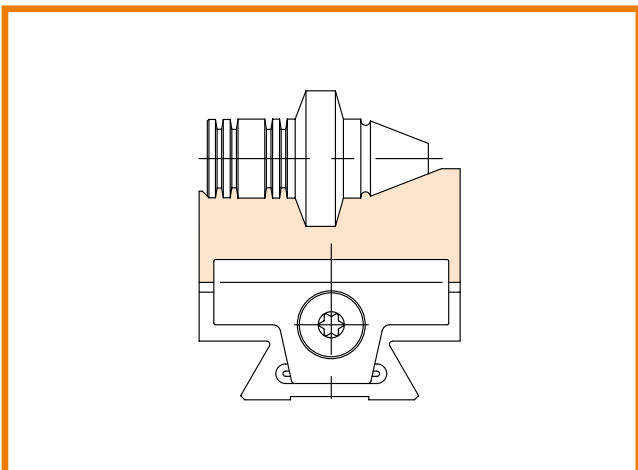
PWP-T System



PWP-B System



WEP System



PWP-E System

Visit our website at www.schwanog.com and watch the 3D animations for all 5 grooving systems.

There is a perfect solution for every manufacturing process! Take this opportunity and use our capability to lower your part costs and thus increasing your profitability. We are looking forward to show you how, just call or email us your application along with part drawing.

Insertable tooling systems.



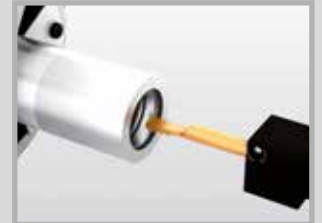
OD Grooving



OD Grooving for rotary transfer machines



ID Grooving



ID Grooving and turning with WSI



Form drilling



Shave Tools



Skiving Tools



Polygon turning



Broaching of Serrations




OD Whirling





ID Whirling Tools (Thread Mills)




Selector system

 **Schwanog · Siegfried Güntert GmbH**
Niedereschacher Str. 36 · D-78052 VS-Obereschach
Tel. +49 (0) 77 21 / 94 89-0 · Fax +49 (0) 77 21 / 94 89-99
www.schwanog.com · info@schwanog.com

 **Schwanog LLC**
1630 Todd Farm Drive · Elgin, IL 60123
Phone: 847-289-1055 · Fax: 847-289-1056
www.schwanog.com · info.usa@schwanog.com

 **Schwanog Sàrl**
89 Allée des Nénuphars · F-74300 Thyez
Téléphone 0450 18 65 16 · Fax 0450 18 47 75
www.schwanog.com · info.france@schwanog.com

 **Schwanog (Shanghai) Co., Ltd.**
Room 757B, Tower 3, German Centre
No. 88 Ke Yuan Road · 201203 Shanghai
Phone: +86-21-2898-6210 · Fax: +86-21-2898-6212
www.schwanog.com · info.china@schwanog.com

 **Schwanog · Siegfried Güntert GmbH**
Palackého 289 · CZ-682 01 Vyškov
Tel./Fax: +420 517 351 740 · Mobil: +420 739 257 060
www.schwanog.com · ludvik.sochor@schwanog.com

 **Schwanog · Siegfried Güntert GmbH**
ul. Wawerska 1A / 16 · PL-05-410 Józefów
Tel: +48 606 177 025 · Fax: +48 22 610 07 45
www.schwanog.com · lukasz.kucinski@schwanog.com